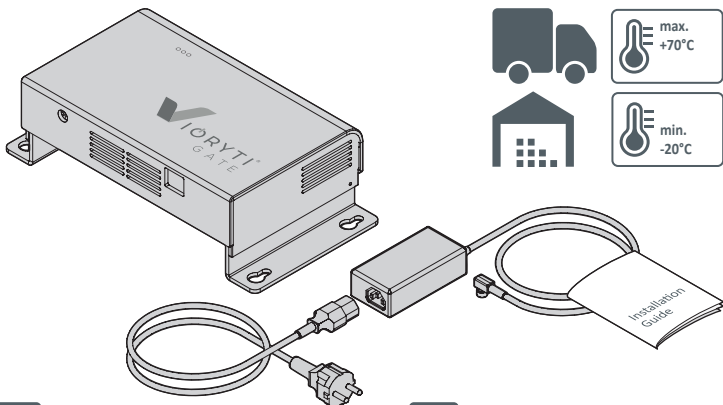


VIORYTI® GATE



Radio frequency 868 MHz

Funkfrequenz / Fréquence radio / radio frecuencia

Frequency bands

- LTE-FDD: B1/B3/B7/B8/B20/B28A
- WCDMA: B1/B8
- GSM/ EDGE: B3/B8
- LoRa: EU863-870 MHz
- mioty®: 868-870 MHz (EU1 band)
- wM-Bus: 868-870 MHz

Frequenzband /

Bande de fréquence /

Banda de frecuencia

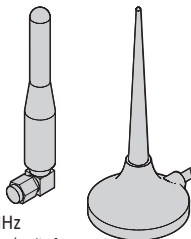
Antenna gain max. 0dBd/2.2dBi

max. Antennengewinn / Gain d'antenne max. /

max. ganancia de antena

Connection SMA

Anschluss / Connexion / Conexión

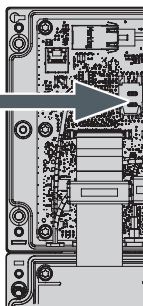


MINI
SIM

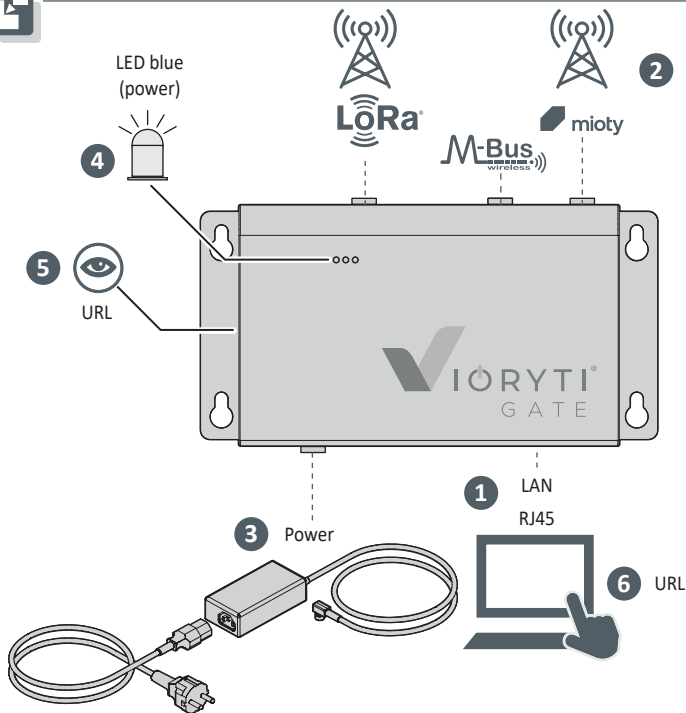


25 mm

15 mm



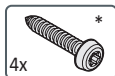
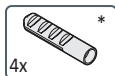
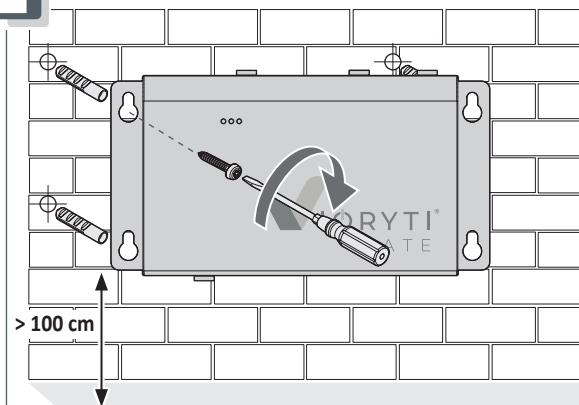
VIORYTI® GATE



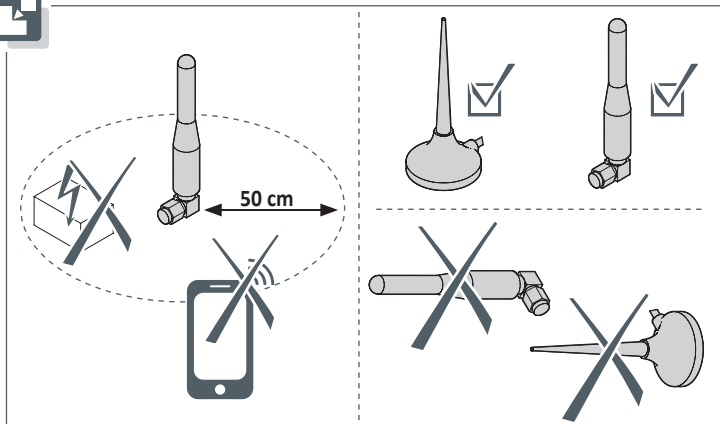
7 Login: admin
Password: admin-<M-number>

8 License key from supplier

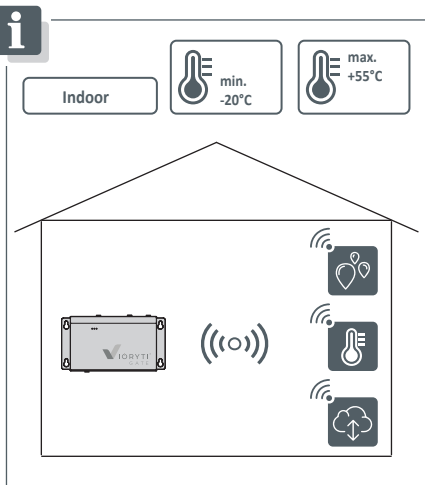




* not included



VIORYTI® GATE



TX-power

mioty
869.525MHz (EN 300220-2, Band P)
500 mW e.r.p. ≤ 10% duty cycle

LoRa®

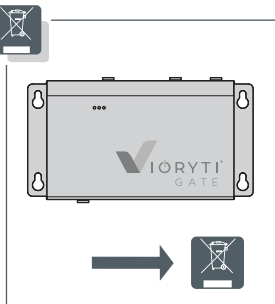
- 863.000MHz (EN 300220-2, Band K)
25 mW e.r.p. ≤ 0.1% duty cycle
- 865.000MHz (EN 300220-2, Band L)
25 mW e.r.p. ≤ 1% duty cycle
- 868.000MHz (EN 300220-2, Band M)
25 mW e.r.p. ≤ 1% duty cycle
- 868.700MHz (EN 300220-2, Band N)
25 mW e.r.p. ≤ 0.1% duty cycle
- 869.400MHz (EN 300220-2, Band P)
500 mW e.r.p. ≤ 10% duty cycle
- 869.700MHz (EN 300220-2, Band Q)
25 mW e.r.p. ≤ 1% duty cycle

Simplified EU declaration of conformity

Hereby, Diehl Metering declares that the radio equipment type described in this manual is in compliance with Directive 2014/53/EU .

The full text of the EU declaration of conformity is available at the following internet address: www.diehl.com/metering

Manufacturer of the device:
Diehl Metering GmbH
Industriestr. 13
91522 Ansbach



Version 1.0. • 12/12/2022